



COMPANY HEADQUARTERS

19011 E. Cataldo Ave.
Spokane Valley, WA 99016
(800) 541-4383 or (509) 926-7143
Fax: (509) 928-1116

ARIZONA OFFICE

6760 South Clementine Ct.
Tempe, AZ 85283
(800) 835-9673 or (480) 966-8999
Fax: (480) 968-4108

www.unitedcoatings.com

UNITED COATINGS is a ISO 9001:2000 registered company.

ROOF MATE

The ROOF MATE Roof Preservation System forms a durable waterproofing membrane designed to extend the life of virtually any new or existing roof substrate.

- Reflects 85+% of the sun's rays
- Dramatically reduces interior temperatures
- Monolithic, liquid-applied; no seams or fasteners
- Fully sustainable 5, 10 and 15 year warranties
- Apply to virtually any roof substrate
- Reduces "Heat Island" effect
- Classified cool construction material
- Tax deductible as a maintenance expense
- UL, FM, ICBO, CRRC, ENERGY STAR certified
- NOA 03-1223.02
Miami-Dade County, Florida
Expiration Date 04/01/09
- Classified "Cool Construction" material

ROOF MATE Fabric cut to size and encapsulated in **ROOF MATE Butter Grade**.

NOTE: It is important to work quickly during this entire detail process. DO NOT allow the butter grade to dry between coats or the fabric will not be properly encapsulated.

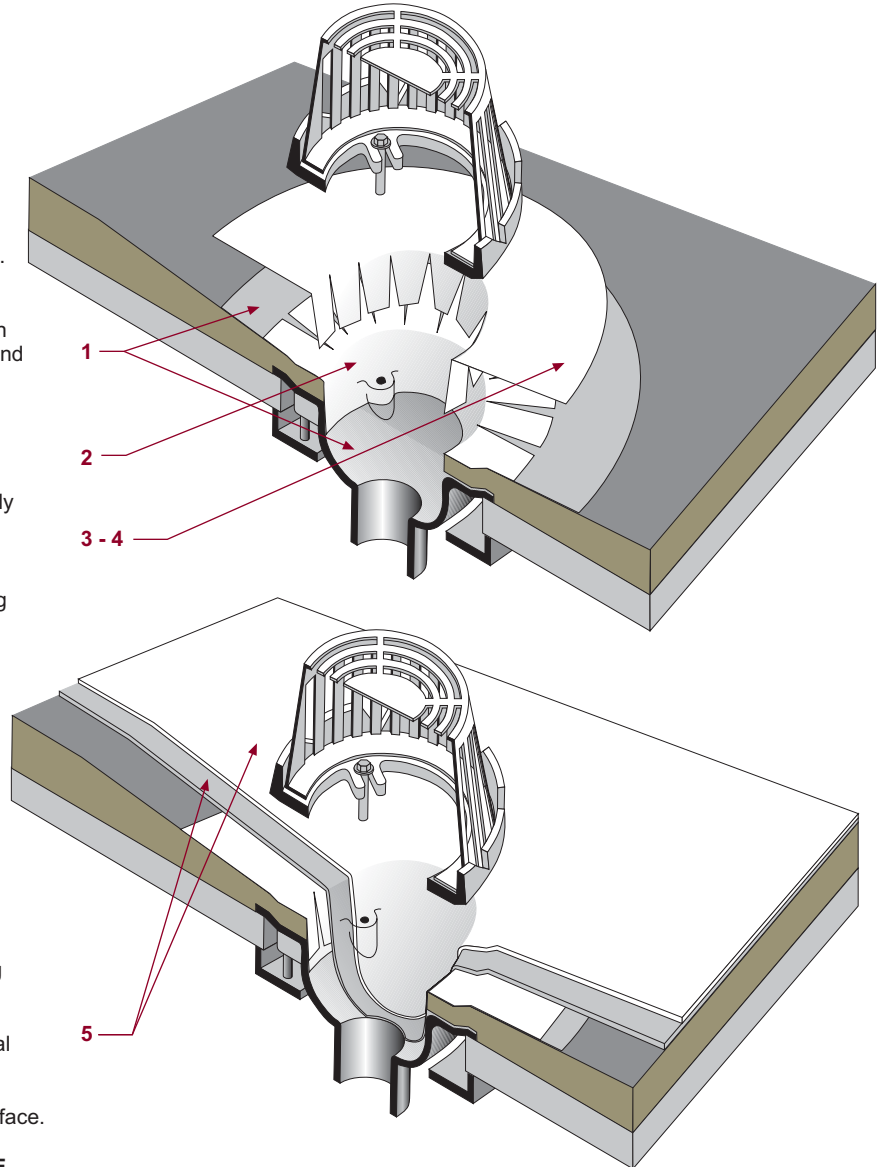
STEP 1: Using a 3" to 4" (7.5 to 10 cm) paintbrush, liberally apply a coat of **ROOF MATE Butter Grade** to the entire drain bowl. Extend the butter grade approximately 6" (15 cm) beyond the bowl rim and onto the roof surface in all directions.

STEP 2: While the butter grade is still wet, cut a strip of **ROOF MATE Fabric** long enough to line the interior diameter of the drain bowl with a 1" to 2" (2.5 to 5 cm) overlap. The fabric should be wide enough to fit approximately half way to the bottom of the bowl while also extending 3" to 4" (7.5 to 10 cm) above the bowl rim. Cut the fabric extending above the bowl rim into flanges, flattening them into the wet butter grade with the brush in a pattern extending away from the bowl. Apply additional **ROOF MATE Butter Grade** to completely encapsulate the fabric.

STEP 3: Cut a second, circular piece of **ROOF MATE Fabric** just large enough to cover the drain and fabric flanges of the first piece of fabric. Fold the fabric in half and then in half again to find the center. Use scissors to cut off enough of the point to create a hole in the exact center of the fabric that is not more than 1/2 the diameter of the drain bowl.

STEP 4: Unfold the circular piece of fabric and center it over the drain. Apply additional **ROOF MATE Butter Grade** around the perimeter of the drain if it is not still wet enough to absorb into the fabric. Cut the fabric into flanges extending outward from the center of the hole to the edge of the bowl. Use the brush to smooth the fabric flanges down into the bowl, working out any air pockets or wrinkles. Apply additional butter grade to completely encapsulate the **ROOF MATE Fabric**, extending it 1" to 2" (2.5 to 5 cm) beyond the edge of the fabric around the perimeter of the drain on the roof surface.

STEP 5: Coat over the entire detailed area with **ROOF MATE** basecoat and topcoat as it is applied to the balance of the roof, per project specifications. Refer to appropriate Master Guide Specifications for complete application instructions.



Title:

ROOF MATE
Fabric reinforced drain

Version: 01

Date: 04/17/06